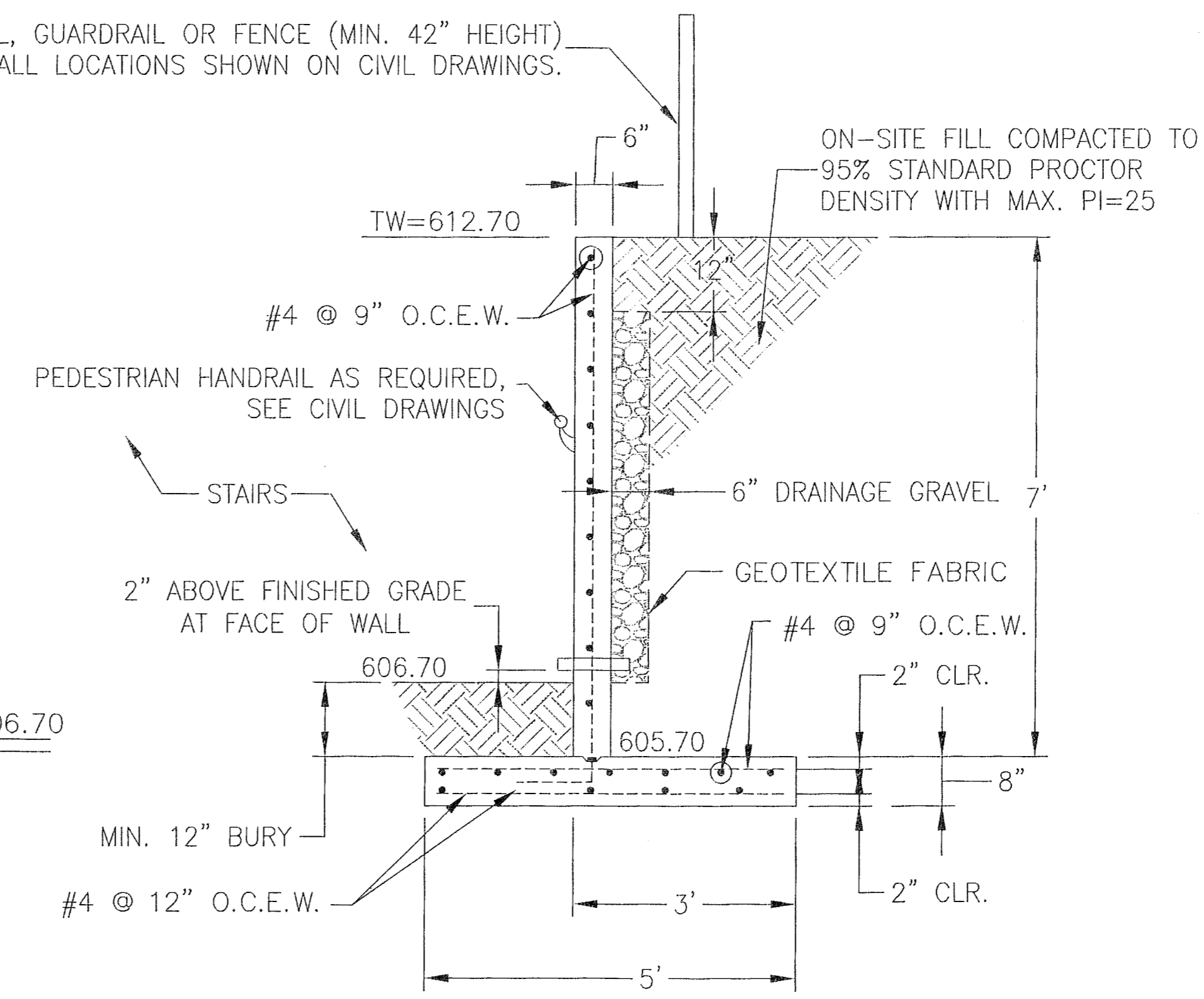
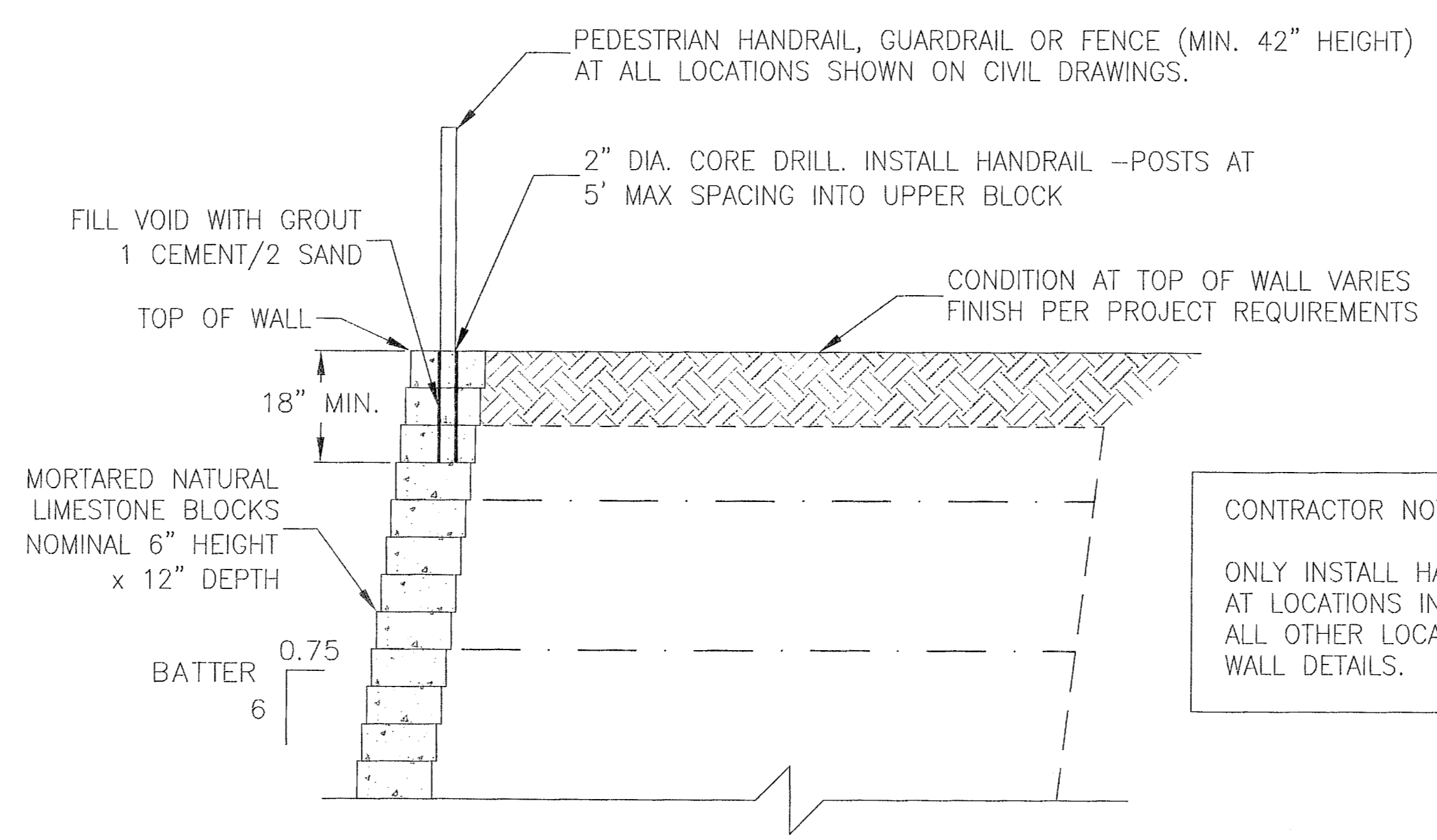


CONCRETE STAIRS
AT LOCATION SHOWN ON
CIVIL GRADING PLAN
N.T.S.

SEE SHEET 51 FOR CONCRETE
CONSTRUCTION NOTES



CONCRETE WALL AT STAIRS
AT LOCATION SHOWN ON
CIVIL GRADING PLAN
N.T.S.



HANDRAIL EMBEDMENT DETAIL
N.T.S.

CONTRACTOR NOTE:
ONLY INSTALL HANDRAIL POSTS IN WALL FACE
AT LOCATIONS INDICATED ON CIVIL SITE PLAN.
ALL OTHER LOCATIONS INSTALL PER RETAINING
WALL DETAILS.

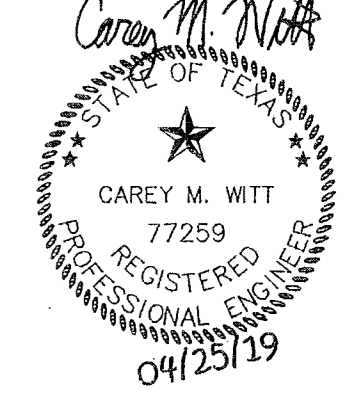
FOR CITY USE ONLY:

SITE PLAN APPROVAL Sheet _____ of _____ APPLICATION DATE: DECEMBER 11, 2017
 FILE NUMBER: SP-2017-0503C.SH APPROVED BY COMMISSION ON: N/A UNDER SECTION 112 OF
 CHAPTER 26-5 OF THE CITY OF AUSTIN CODE.
 EXPIRATION DATE (25-6-B.LDC) CASE MANAGER: C. DAVIS
 PROJECT EXPIRATION DATE (ORD.#970905-A) DWPZ DDZ

Director, Development Services Department
 RELEASED FOR GENERAL COMPLIANCE: *[Signature]* *[Date]*
 Rev. 1 Correction *[Signature]*
 Rev. 2 Correction 2
 Rev. 3 Correction 3

FINAL PLAN MUST BE RECORDED BY THE PROJECT EXPIRATION DATE, IF APPLICABLE. SUBSEQUENT SITE PLANS WHICH DO NOT COMPLY WITH THE CODE CURRENT AT THE TIME OF FILING, AND ALL REQUIRED BUILDING PERMITS AND/OR A NOTICE OF CONSTRUCTION (IF A BUILDING PERMIT IS NOT REQUIRED), MUST ALSO BE APPROVED PRIOR TO THE PROJECT EXPIRATION DATE.

REVISIONS	4/25/19	ADDED PAGE 59
1		



PATHWAYS AT GOODRICH PLACE
RETAINING WALLS
AUSTIN, TEXAS
SUPPLEMENTAL DETAILS

4417 BURLERSON ROAD
AUSTIN, TEXAS 78744
Phone: 512-445-0796
www.geosolutionsinc.com
Reg. Eng. Firm #4-4189
GEOSOLUTIONS

Scale: NOT TO SCALE
 Date: 04/25/19
 Drawn by: JY
 Project No.: GSI.8053
 SHEET
59
 OF 59